



For round viewing glass plates similar DIN 7080

USAGE

The sight glass wipers of type SGW are designed for on-demand, manual cleaning of glass plates in round sight glass fittings. They are suitable for applications under pressure and can also be easily retrofitted into existing sight glass fittings.

Operations Conditions:

Temperature: (depending on glass and seals)	up to 200 °C ¹ with Borosilicate glass similar to DIN 7080 and O-Rings wiper blades: PTFE / silicone / EPDM /
Pressure:	max. 25 ² barg

¹ Higher temperatures on request

² depending on the glass thickness (higher pressures on request)

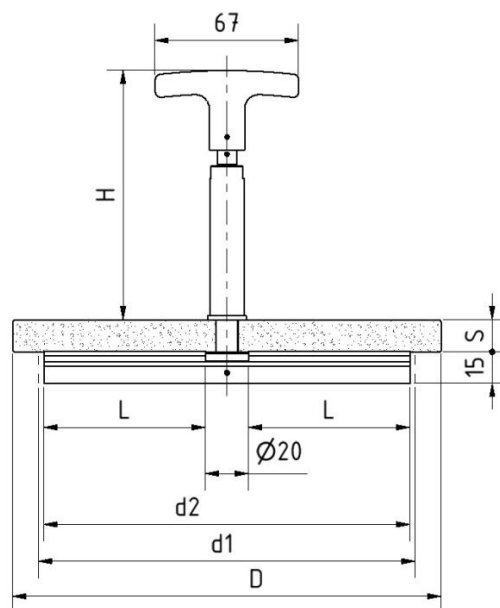
INSTALLATION NOTE

Built into sight glass plates, similar to DIN 7080, with a central hole $\varnothing 10.5 \pm 0.3$ mm. Suitable for all sight glass fittings with glasses similar to DIN 7080.

COMBINATION OPTIONS

The simultaneous combination of the sight glass wiper type SGW with a lamp as well as with the spraying device SVI is possible. In this case, the max. allowable temperature and the thermal cycling resistance of the sight glass plate must be observed.

DRAWING



MEASUREMENTS

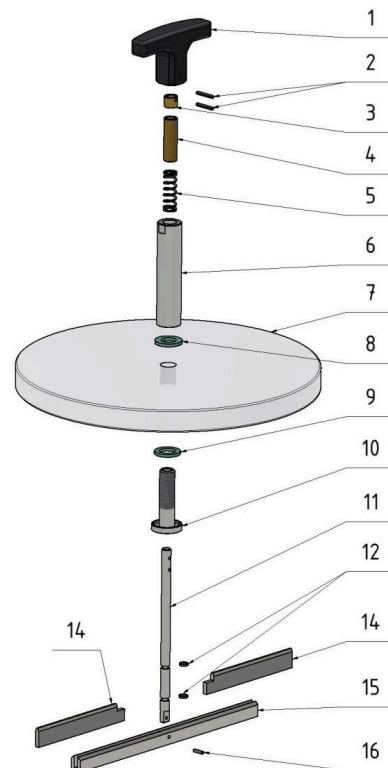
Dimensions:																
Size		3	4	5	6	7	8	9	10	11	12	13				
Nominal size	DN	50	80	100	125	150	200	250	300	350	400	500				
Glass Ø	D [mm]	100	125	150	175	200	250	300	on request							
Free view	d1 [mm]	80	100	125	150	175	225	280								
Wipe circle Ø	d2 [mm]	75	95	120	145	170	220	275								
Glass thickness	S [mm]	Operating pressure max. PS [bar(g)]														
Height	H [mm]															
		116	15	8	5	4	3	2					/	/		
		111	20	12	8	5	5	4	2	1						
		106	25	20	12	8	8	5	4	2						
		121	30	25 ⁴	20	12	12	8	5	3						
		116	35	/	25 ⁴	21	15	11	7	4						
		111	40	/	/	25 ⁴	20	14	9	6						
		106	45	/	/	/	25 ⁴	18 ⁴	11	7						
		111	55 ³													

³ 55 mm on request, ⁴ higher pressures on request

PARTS AND MATERIALS - TABLE

Pos.	Parts list and materials:	
1.	Handle, T-shape	PA with brass socket
2.	Retaining pins	1.4310
3.	Spacers	Brass
4.	Spacers	Brass
5.	Compression spring	1.4310
6.	Threaded sleeve	⁵ 1.4404 / 1.4571
7.	View glass plate	Borosilicate glass
8.	Gasket (atmospheric side)	C-4300 / C4400, asbestos-free
9.	O-ring (media-contacted)	FKM, FFKM ^H , FDA compliant
10.	Threaded bush	⁵ 1.4404 / 1.4571
11.	Wiper shaft	⁵ 1.4404 / 1.4571
12.	O-rings (media-contacted)	FKM, FFKM ^H , FDA compliant
14.	Wiper blades	PTFE, silicone, EPDM, FDA compliant
15.	Wiper arm	⁵ 1.4404 / 1.4571
16.	Retaining pin	1.4310

⁵ according to availability
^H high-temperature version



Explosion representation: Type SGW with sight glass plate

PRODUCT CODE

Example for Explaining the Code Composition

11 - SGW - 5 - 2 - 1 - 1 - 1 - 0

GROUP	TYPE	DN	GLASS THICKNESS [MM]	TYPE OF GLASS	WIPING CIRCLE DIAMETER	WIPER BLADE	VARIANT
11	SGW	3) 50	2) 15	0) Without Glass	1) Standard	1) PTFE (200°C)	H) High temperature up to 260°C, on request Assigned by ACI if needed
		4) 80	3) 20	1) Borosilicate glass similar to DIN 7080	X) Special	2) Silicone (180°C)	
		5) 100	4) 25			3) EPDM (130°C)	
		6) 125	5) 30	X) Special		X) Special	
		7) 150	6) 35				
		8) 200	7) 40				
		9) 250	8) 45				
		10) 300	9) 50				
		X) Special	10) 55				



Unless otherwise stated, the highlighted factory standard will be delivered.

EXAMPLE

The product code **11-SGW-5-2-1-1-1-0**

corresponds to the standard version:

Borosilicate glass i.A. DIN 7080 + SGW

Dimensions: Ø 150 x 15 mm

with cent. hole Ø 10.5 ± 0.3 mm

with ACI wiper SGW size 5

Double wiper blade made of PTFE

Operation: T-handle

Operating pressure max. 4 barg

Operating temperature: max. 200°C



ACI Industriearmaturen GmbH

✉ info@aci24.com

☎ +49 (0) 2461 91634 00

🌐 www.aci24.com

🏠 +49 (0) 2461 91634 44

📍 Königskamp 19 · 52428 Jülich · Germany